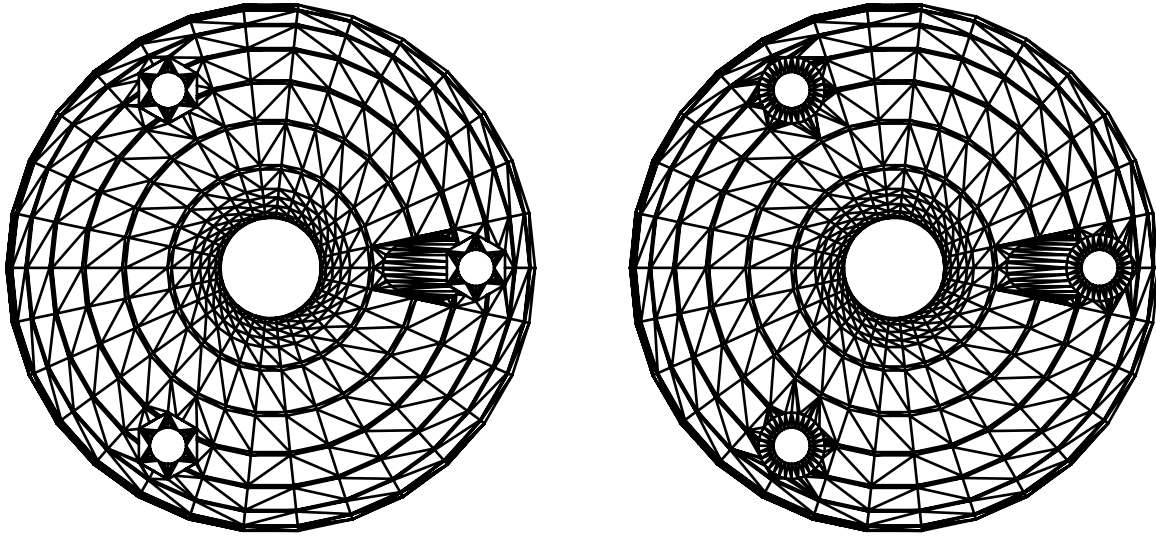
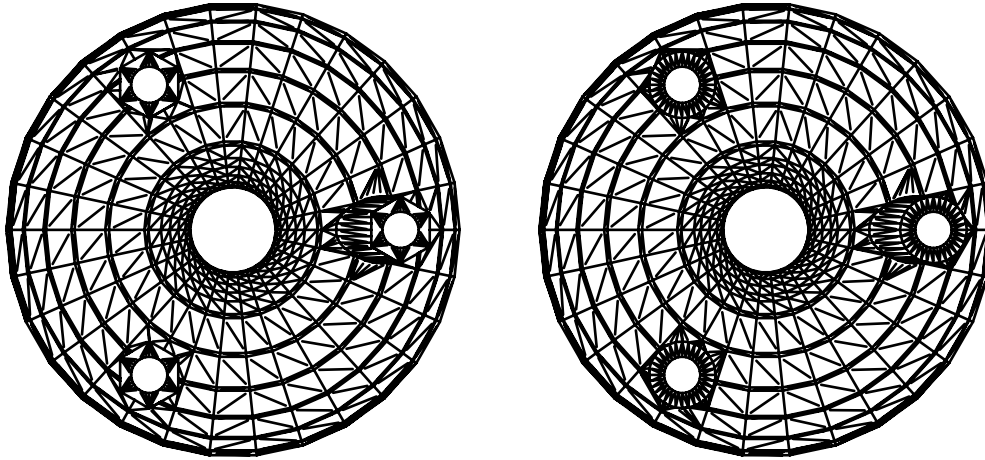


The various images are to scale representations of the Pen Ball device. Note that the various pen hole sizing can be changed for each device size and this is just used to trial sizes before 3D printing.

### Large Pen Ball with Wide Pen Hole



### Medium Pen Ball with Standard Pen Hole



### Small Pen Ball with Narrow Pen Hole

